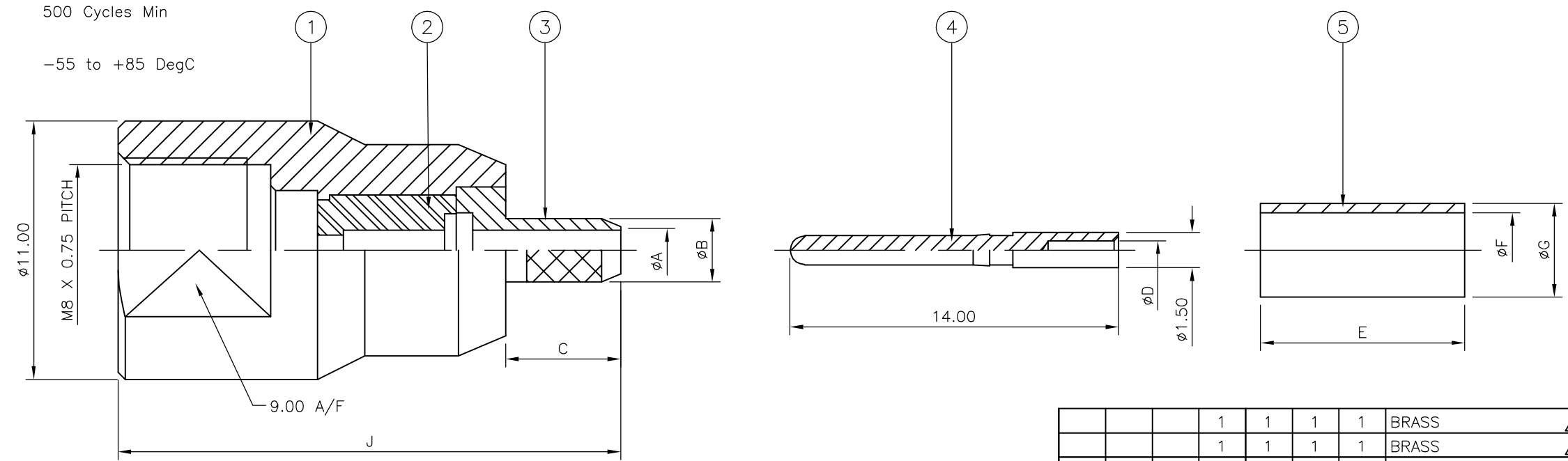


THIS DRAWING IS UNPUBLISHED. RELEASED FOR PUBLICATION JAN , 2005.  
 © COPYRIGHT 2005 BY TYCO ELECTRONICS CORPORATION. ALL RIGHTS RESERVED.

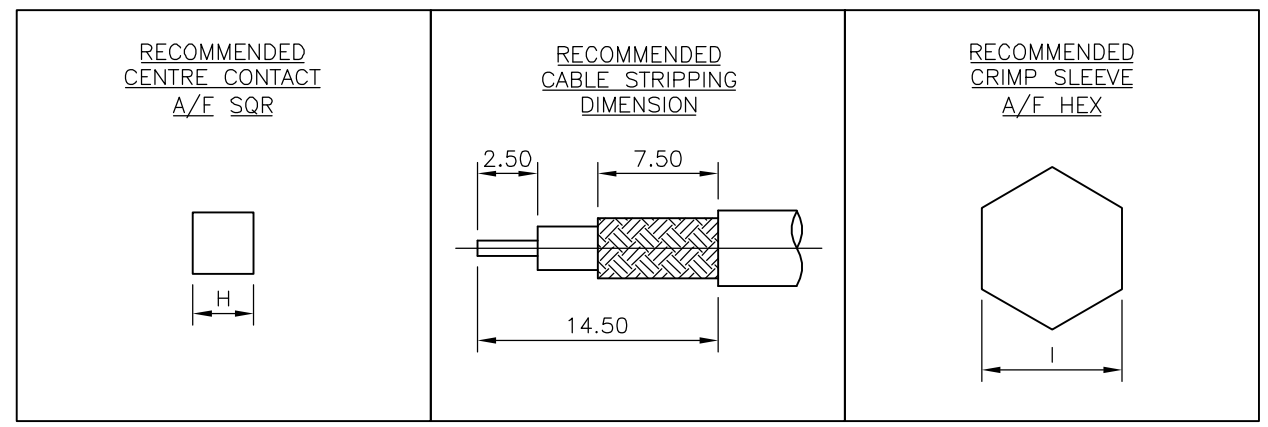
LOC	DIST	REVISIONS					
E	B	P	LTR	DESCRIPTION	DATE	DWN	APVD
		D		ECR-06-002568	16FEB06	JMS	FWK

- NOTES**
- 1 SINGLE PACK IN ACCORDANCE WITH AMP SPEC 107-3275
  - 2 50 TRAY PACK IN ACCORDANCE WITH AMP SPEC 107-3275
  - 3 Au PLATING
  - 4 Ni PLATING
  - 5 HAND TOOL: 9-1478240-0
  - 6 DIE SET: SEE TABLE
  - 7 ELECTRICAL CHARACTERISTICS  
 FREQUENCY RANGE: DC - 2 GHz  
 NOMINAL IMPEDANCE: 50 Ohm  
 INSULATION RESISTANCE: 5000 MOhm  
 WORKING VOLTAGE: 100 Volts RMS at Sea Level  
 DIELECTRIC WITHSTAND VOLTAGE: 1000 Volts RMS Max  
 CONTACT RESISTANCE:  
 CENTRE CONTACT: 10.00 mOhm Max  
 OUTER CONTACT: 5.00 mOhm Max  
 VSWR @ 1.8GHz: 1.30:1 Max  
 INSERTION LOSS dB @ x 1.8 GHz: 0.20 Max
  - 8 MECHANICAL CHARACTERISTICS  
 CABLE RETENTION FORCE:  
 RG58C/U, 141A/U, URM43, 76: 170N Min  
 RG174A/U, 188A/U, 316/U, URM95: 85N Min  
 DURABILITY: 500 Cycles Min
  - 9 ENVIRONMENTAL CHARACTERISTICS  
 OPERATING TEMPERATURE: -55 to +85 DegC

21.50	3.30	1.05	4.00	3.20	8.70	0.60	5.00	2.70	1.70	1213806-1	RG174A/U, 188A/U, 316/U, URM95, KX3B, KX22A	1-1337550-3
21.50	3.30	1.05	4.00	3.20	8.70	0.60	5.00	2.70	1.70	1213806-1	RG174A/U, 188A/U, 316/U, URM95, KX3B, KX22A	1-1337550-2
24.50	5.60	1.05	6.40	5.40	12.70	1.00	8.00	4.50	3.20	1213806-1	RG58C/U, 141A/U, 303/U, URM43, 76, BELDEN 9907, KX15	1-1337550-1
24.50	5.60	1.05	6.40	5.40	12.70	1.00	8.00	4.50	3.20	1213806-1	RG58C/U, 141A/U, 303/U, URM43, 76, BELDEN 9907, KX15	1-1337550-0
J	I	H	G	F	E	D	C	B	A	DIE SET	CABLE GROUPS	PART NO.



		1	1	1	1	BRASS	⚠	CRIMP SLEEVE	5
		1	1	1	1	BRASS	⚠	CONTACT	4
		1	1	1	1	BRASS	⚠	CHASSIS	3
		1	1	1	1	PTFE		INSULATOR	2
		1	1	1	1	BRASS	⚠	BODY	1
		1--3	1--2	1--1	1--0	MATERIAL		DESCRIPTION	ITEM
		⚠	⚠	⚠	⚠				



THIS DRAWING IS A CONTROLLED DOCUMENT.

DIMENSIONS: mm

TOLERANCES UNLESS OTHERWISE SPECIFIED:

0 PLC	± -
1 PLC	± -
2 PLC	± -
3 PLC	± -
4 PLC	± -
ANGLES	± -

MATERIAL: SEE TABLE

FINISH: SEE TABLE

DWN J.SANDWELL 14JAN05  
 CHK S.PARLOW 14JAN05  
 APVD F.WHEELER-KING 14JAN05

**tyco Electronics** Tyco Electronics Corporation  
 Bideford, UK, EX39 4HE

NAME: FME STRAIGHT PLUG CRIMP 50 OHMS

SIZE: A3 CAGE CODE: 00779 DRAWING NO: 1337550 RESTRICTED TO: -

WEIGHT: -

CUSTOMER DRAWING SCALE: NTS SHEET: 1 OF 1 REV: D